

PowerAmp Design

RAIL TO RAIL OPERATIONAL AMPLIFIER

PAD117A

Rev J

KEY FEATURES

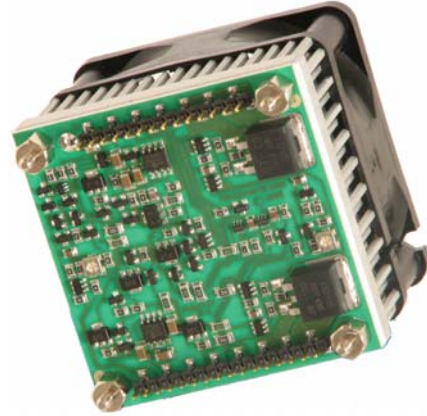
- LOW COST
- RAIL TO RAIL INPUT & OUTPUT
- SINGLE SUPPLY OPERATION
- HIGH VOLTAGE – 100 VOLTS
- HIGH OUTPUT CURRENT – 15A
- 250 WATT OUTPUT CAPABILITY
- 100 WATT DISSIPATION CAPABILITY
- WIDE SUPPLY RANGE $\pm 5V - \pm 50V$
- INTEGRATED HEAT SINK AND FAN
- TEMPERATURE REPORTING
- OVER-TEMP SHUTDOWN

APPLICATIONS

- LINEAR MOTOR DRIVE
- INDUSTRIAL AUDIO
- SEMICONDUCTOR TESTING
- VIBRATION CANCELLATION

DESCRIPTION

The PAD117A rail to rail operational amplifier is constructed with surface mount components to provide a cost effective solution for many industrial applications where it is important to obtain a maximum output signal with limited supply voltages. With a footprint only 5.6 in² the PAD117A offers outstanding performance that rivals much more expensive hybrid component amplifiers or rack-mount amplifiers. User selectable external compensation tailors the amplifier's response to the application requirements. Four-wire programmable current limit is built-in, but the PAD117A is compatible with the external PAD125 current limit accessory module as well. The PAD117A also features a substrate temperature reporting output and over-temp shutdown. The amplifier circuitry is built on a thermally conductive but electrically insulating substrate mounted to an integral heat sink and fan assembly. No BeO is used in the PAD117A. The resulting module is a small, high performance turn-key solution for many industrial applications.



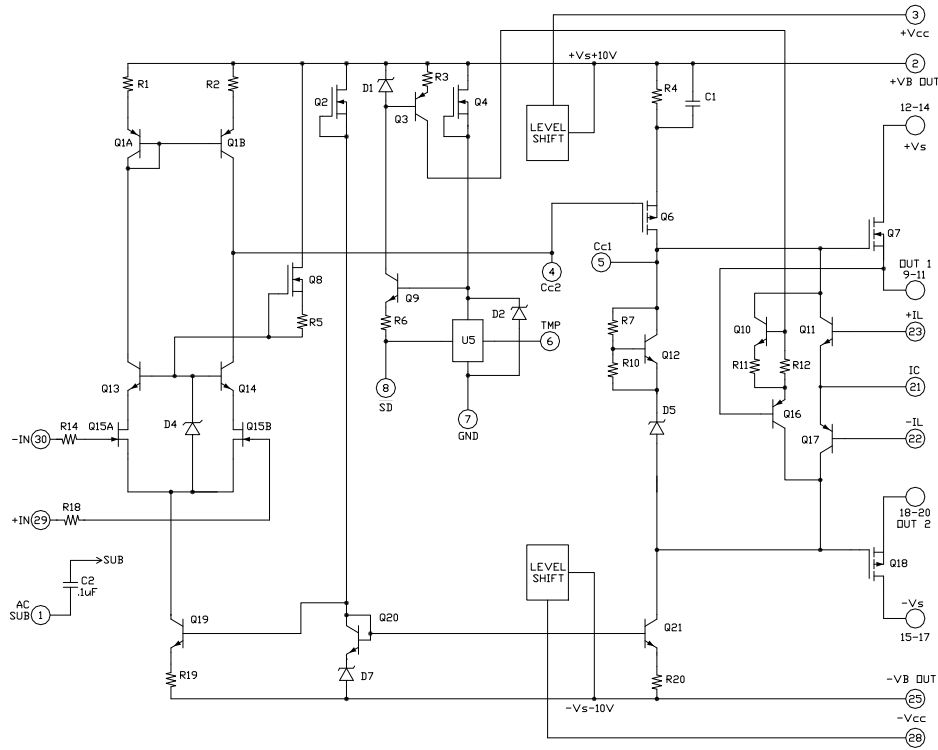
PAD117A mounted in EVAL117 evaluation kit with accessory modules.

A NEW CONCEPT

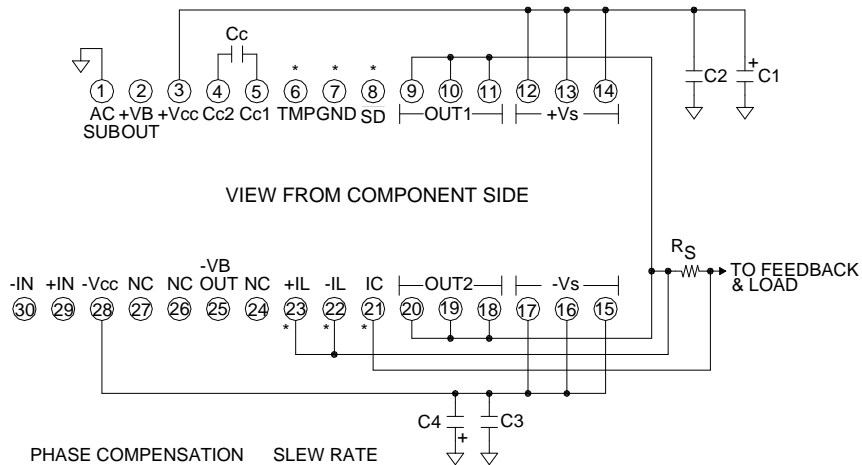
A critical task in any power amplifier application is cooling the amplifier. Until now component amplifier manufacturers often treated this task as an after-thought, left for the user to figure out. At **Power Amp Design** the best heat sink and fan combination is chosen at the start and becomes an integral part of the overall amplifier design. The result is the most compact and volumetric efficient design combination at the lowest cost. In addition, this integrated solution concept offers an achievable real-world power dissipation rating, not the ideal rating usually cited when the amplifier case is somehow kept at 25°C. The user no longer needs to specify, procure or assemble separate components.

PowerAmp Design ♦ PAD117A ♦ RAIL TO RAIL OPERATIONAL AMPLIFIER

EQUIVALENT CIRCUIT



AMPLIFIER PINOUT & CONNECTIONS



PHASE COMPENSATION		SLEW RATE
GAIN	Cc	
1	470pF	1.6V/uS
3	220pF	4V/uS
≥ 10	100pF	8V/uS

* SEE APPLICATION CIRCUITS FOR OTHER CONNECTIONS AND FUNCTIONS.

PowerAmp Design ♦ PAD117A ♦ RAIL TO RAIL OPERATIONAL AMPLIFIER

SPECIFICATIONS

SUPPLY VOLTAGE, $+V_S$ to $-V_S$ ⁷	100V	INPUT VOLTAGE	$+V_{CC}$ to $-V_{CC}$
SUPPLY VOLTAGE, $+V_{CC}$ to $-V_{CC}$ ⁷	100V	OUTPUT CURRENT, peak	30A, within SOA
DIFFERENTIAL INPUT VOLTAGE	$\pm 20V$	POWER DISSIPATION, internal, DC	100W
TEMPERATURE, pin solder, 10s	300°C	TEMPERATURE, junction ²	175°C
TEMPERATURE RANGE, storage	-40 to 70°C ⁵	OPERATING TEMPERATURE, heat sink	-40 to 105°C

ABSOLUTE MAXIMUM RATINGS

PARAMETER	TEST CONDITIONS ¹	MIN	TYP	MAX	UNITS
INPUT					
OFFSET VOLTAGE			1	3	mV
OFFSET VOLTAGE vs. temperature	Full temperature range		20	50	$\mu V/^\circ C$
OFFSET VOLTAGE vs. supply				20	$\mu V/V$
BIAS CURRENT, initial ³				100	pA
BIAS CURRENT vs. supply				0.1	pA/V
OFFSET CURRENT, initial				50	pA
INPUT RESISTANCE, DC			100		G Ω
INPUT CAPACITANCE			4		pF
COMMON MODE VOLTAGE RANGE		$\pm V_{CC}$			V
COMMON MODE REJECTION, DC		92			dB
NOISE, referred to input	100kHz bandwidth, 1k Ω R_S		1		mVrms
SHUTDOWN (SD)	Grounded			1	mA
GAIN					
OPEN LOOP	$R_L = 100\Omega$, $C_C = 100pF$	100			dB
GAIN BANDWIDTH PRODUCT @ 1MHz			1		MHz
PHASE MARGIN	Full temperature range	60			degree
OUTPUT					
VOLTAGE SWING	$I_O = 15A$, $I_O = 10A$ @ $\pm 5V_S$	$+V_S - 1$			V
VOLTAGE SWING	$I_O = -15A$, $I_O = -10A$ @ $\pm 5V_S$	$-V_S + 1.5$			V
CURRENT, continuous, DC	$\pm V_S \geq \pm 8V$	15			A
CURRENT, continuous, DC	$\pm V_S = \pm 5V$	10			A
SLEW RATE, $A_V = -10$	$C_C = 100pF$	6.4	8		V/ μS
SETTLING TIME, to 0.1%	2V Step		2		μS
RESISTANCE	No load, DC		3		Ω
SHUTDOWN					
TRANSITION TIME, off	\pm output voltage to zero		1		μS
TRANSITION TIME, on	Zero to normal output		2		μS
CURRENT	internal currents dumped into load		± 6		mA
POWER SUPPLY					
VOLTAGE	$\pm V_S$, $\pm V_{CC}$	± 5	± 35	± 50	V
CURRENT, quiescent			32	38	mA
+VB OUT, -VB OUT, load	Output voltage for accessory modules			± 1.5	mA
THERMAL					
RESISTANCE, AC, junction to air ⁴	Full temperature range, $f \geq 60Hz$			1.1	$^\circ C/W$
RESISTANCE, DC, junction to air	Full temperature range			1.5	$^\circ C/W$
TEMPERATURE RANGE, ambient air ⁵		-40		70	$^\circ C$
TEMPERATURE, shutdown, substrate			110		$^\circ C$
FAN, 60mm dc brushless, ball bearing					
OPERATING VOLTAGE			12		V
OPERATING CURRENT			150		mA
AIR FLOW			25		CFM
RPM			3800		RPM
NOISE			30		dB
L10, life expectancy, 50 $^\circ C$ ⁶			45		kHrs
L10, life expectancy, 25 $^\circ C$ ⁶			60		kHrs

NOTES:

1. Unless otherwise noted: $T_C = 25^\circ C$, compensation $C_C = 470pF$, DC input specifications are \pm value given, power supply voltage is typical rating.
2. Derate internal power dissipation to achieve high MTBF.
3. Doubles for every 10 $^\circ C$ of case temperature increase.
4. Rating applies if the output current alternates between both output transistors at a rate faster than 60Hz.
5. Limited by fan characteristics. During operation, even though the heat sink may be at 85 $^\circ C$ or more the fan will be at a lower temperature.
6. L10 refers to the time it takes for 10% of a population of fans to fail. Lower ambient temperature increase fan life.
7. $+V_S$ and $+V_{CC}$ tied together, $-V_S$ and $-V_{CC}$ tied together

COMMON MODE RANGE

The PAD117A is a rail to rail operational amplifier. This means that it works equally well with the input pins biased to either supply rail or at any voltage in between. The most common application utilizing this function is the single supply voltage amplifier where the +IN pin and the -Vs supply pin are grounded.

OUTPUT SWING

With no load the output voltage of the PAD117A can swing to either supply voltage rail. As the load current increases the maximum output swing is reduced, but at 15A output the swing from the positive supply rail is less than 1V and less than 1.5V from the negative supply rail. This does not include any voltage drop due to the sensing voltage required for the current limit circuit to operate.

CURRENT LIMIT

The current limiting function of the PAD117A is a versatile circuit that can be used to implement a four-wire current limit configuration or, in combination with some external components can be configured to implement a fold-over current limit circuit. The four-wire current limit configuration insures that parasitic resistance in the output line, R_p , does not affect the programmed current limit setting. See Figure 1. The sense voltage for current limit is 0.65V. Thus:

$$I_L = \frac{0.65V}{R_s}$$

Where I_L is the value of the limited current and R_s is the value of the current limit sense resistor.

In addition, the sense voltage has a temperature coefficient approximately equal to $-2.2\text{mV}/^\circ\text{C}$. The fold-over function reduces the available current as the voltage across the output transistors increases to help insure that the SOA of the output transistors is not exceeded. Refer to **Application Circuits** for details on how to connect the current limit circuitry to implement either a four-wire current limit or current limit with a fold-over function.

In some applications better current limiting protection and a lower sense voltage may be desired. In this case the PAD117A can be operated with the PAD125 current limit accessory module. See Figure 3 in the applications section and the PAD125 data sheet for more details.

COOLING FAN

The PAD117A relies on its fan for proper cooling of the amplifier. Make sure that air flow to the fan and away from the heat sink remains unobstructed. To eliminate electrical noise created by the cooling fan we recommend a 47 μF capacitor placed directly at the point where the fan wires connect to the PCB. See application note AN-24 for further details.

MOUNTING THE AMPLIFIER

The amplifier is supplied with four 4-40 M/F hex spacers at the four corners of the amplifier. Since the male threaded ends

of the spacers extend beyond the amplifier pins the spacers provide a convenient alignment tool to guide the insertion of the amplifier pins into the circuit board. Once the amplifier is seated secure the module with the provided 4-40 nuts and torque to 4.7 in lb [53 N cm] max. See “**Dimensional Information**” for a detailed drawing. It is recommended that the heat sink be grounded to the system ground. This can easily be done by providing a grounded circuit board pad around any of the holes for the mounting studs.

TEMPERATURE REPORTING

An analog output voltage is provided (pin 6, TMP) relative to ground and proportional to the temperature in degrees C. The slope is approximately $-10.82\text{mV}/^\circ\text{C}$. The output voltage follows the equation:

$$T = (2.127 - V) (92.42)$$

Where V is the TMP output voltage and T is the substrate temperature in degrees C.

This high impedance output circuit is susceptible to capacitive loading and pickup from the output of the amplifier. When monitoring TMP filter the voltage as shown in Figure 4. See **Applications Circuits**.

THERMAL SHUTDOWN

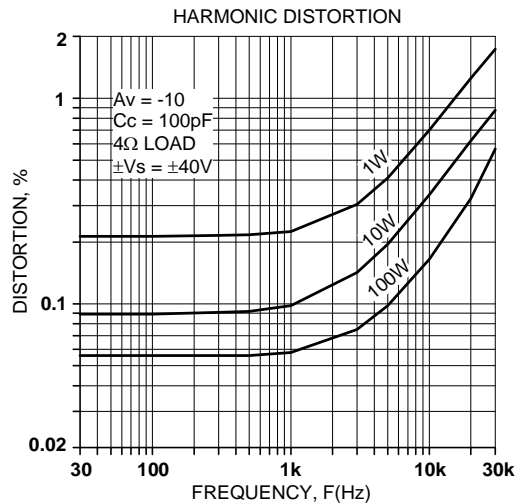
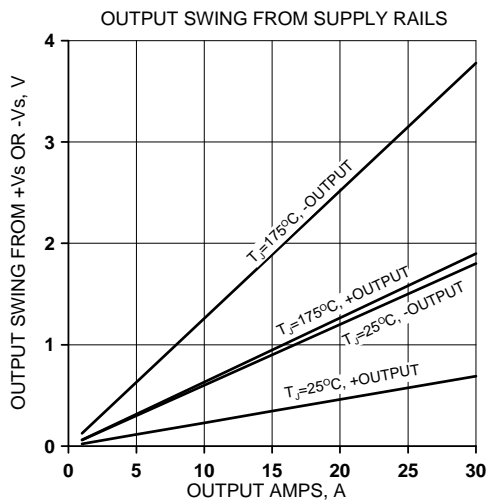
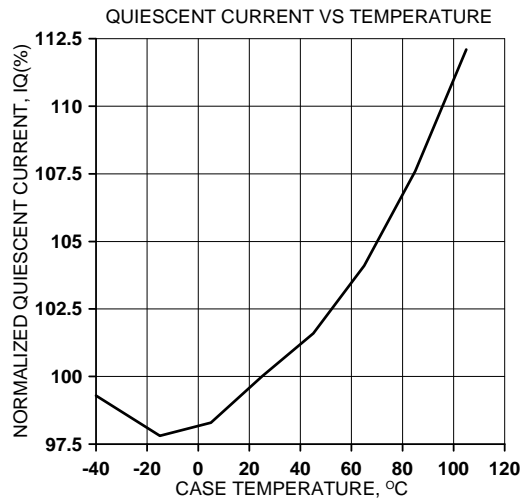
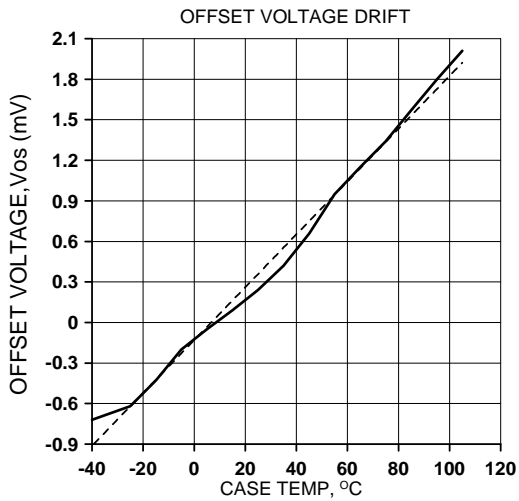
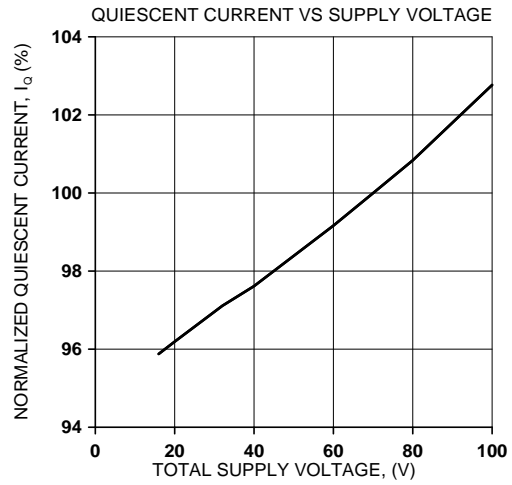
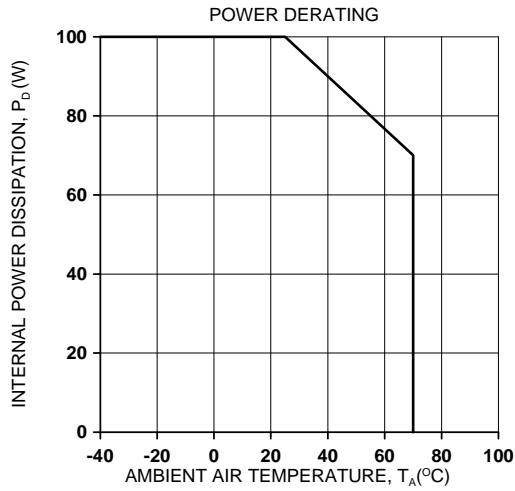
The temperature monitoring circuit automatically turns off the output transistors when the substrate temperature reaches 110°C . When the substrate cools down 10°C the output is enabled once again. The thermal shutdown feature is activated either by amplifier overloads or a failure of the fan circuit.

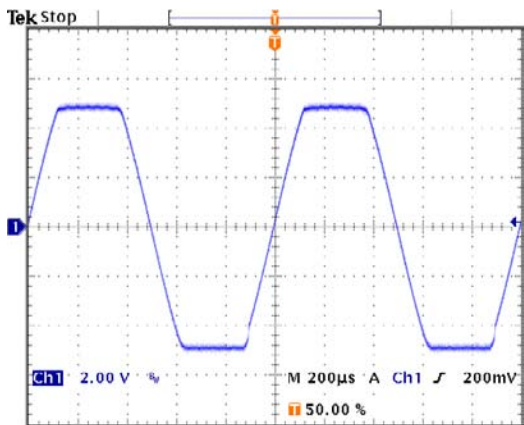
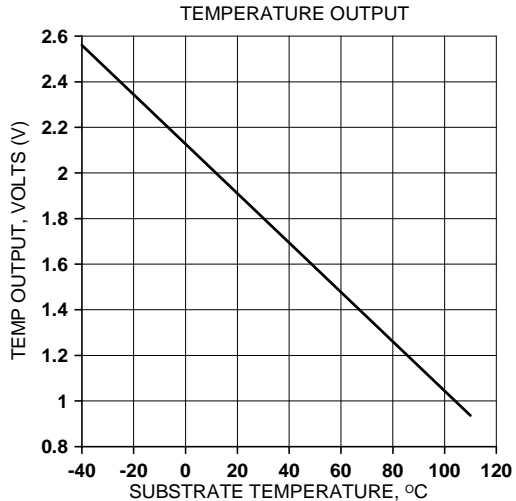
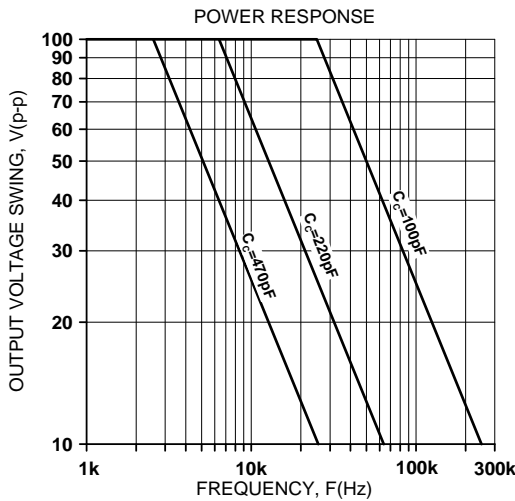
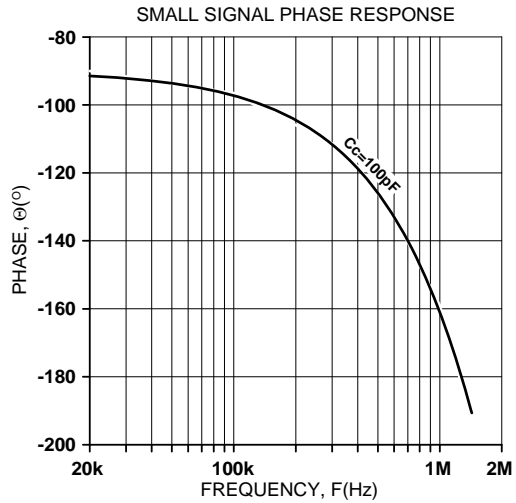
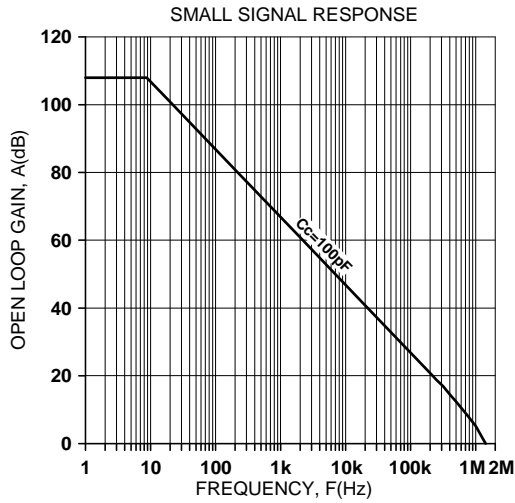
EXTERNAL SHUTDOWN

When pin 8 (\overline{SD}) is taken low (ground) the output stage is turned “off” and remains “off” as long as pin 8 is low. When pin 8 is monitored with a high impedance circuit it also functions as a flag, reporting when the amplifier is shut down. A “high” (+5V) on pin 8 indicates the temperature is in the normal range. A “low” (ground) indicates a shutdown condition. See **Application Circuits** for details on how to implement an external shutdown circuit and how to monitor the shutdown status.

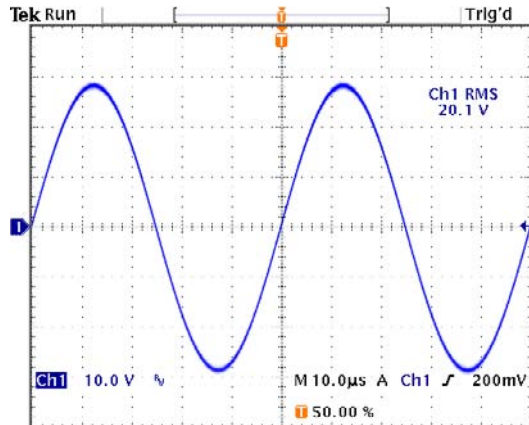
PHASE COMPENSATION

The PAD117A **must** be phase compensated to operate correctly. The compensation capacitor, C_C , is connected between pins 4 and 5. On page 6, Typical Performance Graphs, you will find plots for small signal response and phase response using compensation values of 100pF and 470pF. The compensation capacitor must be an NPO type capacitor rated for the full supply voltage (100V). On page 2, under Amplifier Pinout and Connections, a table gives recommended compensation capacitance values for various gains and the resulting slew rate for each capacitor value.

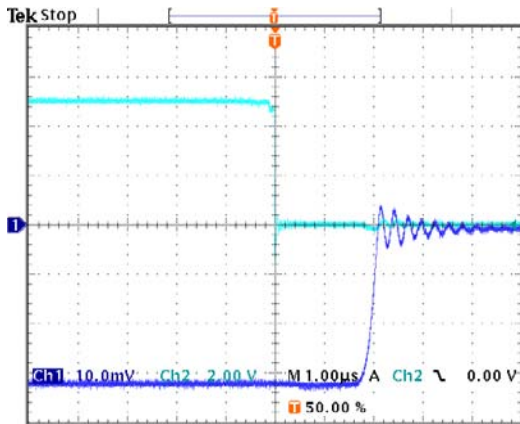




1kHz sine clipped by standard current limit into 4Ω load



20kHz into 4Ω load, G=-10, $C_c=100pF$

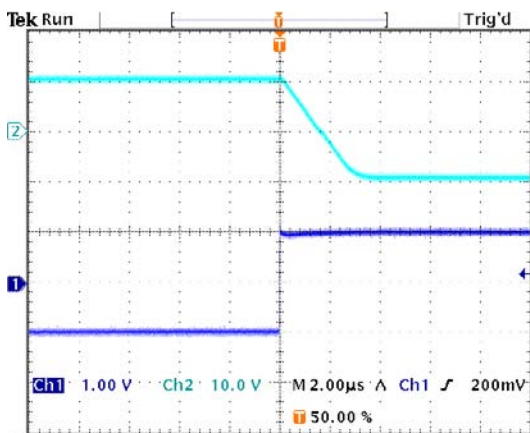
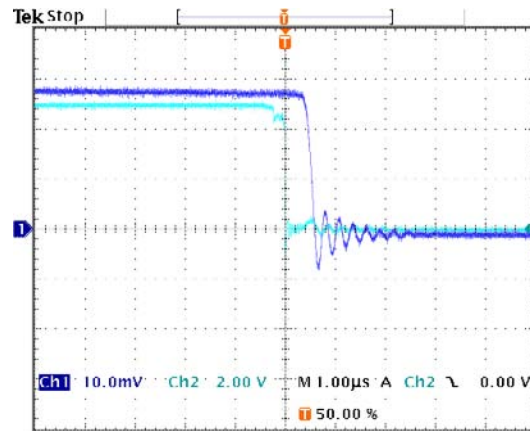


SHUTDOWN RESPONSE, NEGATIVE OUTPUT TO ZERO TRANSITION

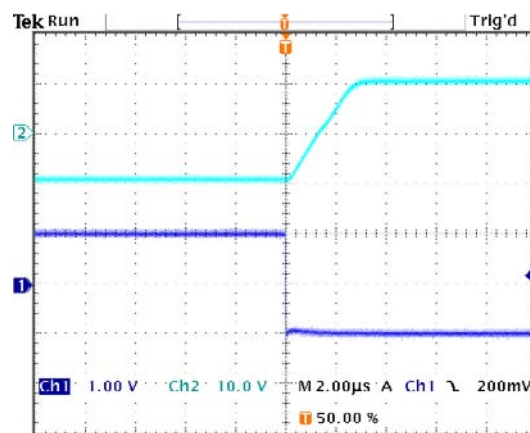
The oscilloscope display at the left shows an expanded view of a 1kHz 1.2A p-p amplifier output signal being interrupted near the negative peak by a shutdown signal on Ch2. The Ch1 display shows the output *current* going to zero about 2 μ S after the shutdown signal goes low. The ringing in the output signal is due to inductance in the output line.

SHUTDOWN RESPONSE, POSITIVE OUTPUT TO ZERO TRANSITION

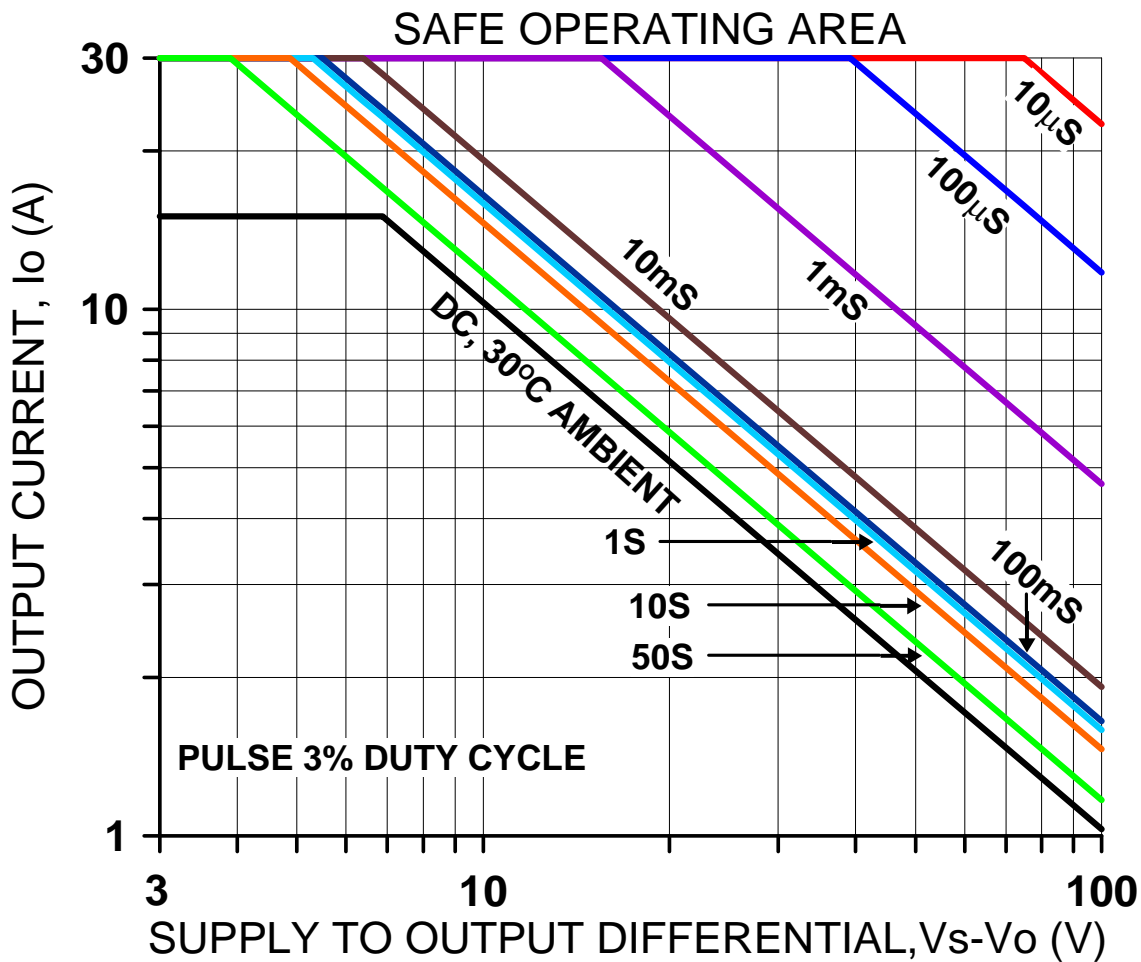
The oscilloscope display at the right shows an expanded view of a 1kHz 1.2A p-p amplifier output signal being interrupted near the positive peak by a shutdown signal on Ch2. The Ch1 display shows the output *current* going to zero about 0.5 μ S after the shutdown signal goes low. The ringing in the output signal is due to inductance in the output line.



Pulse Response, Positive to Negative, 4 Ω Load
G=-10, Cc=100pF

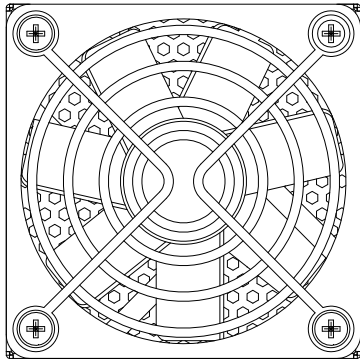


Pulse Response, Negative to Positive, 4 Ω Load
G=-10, Cc=100pF



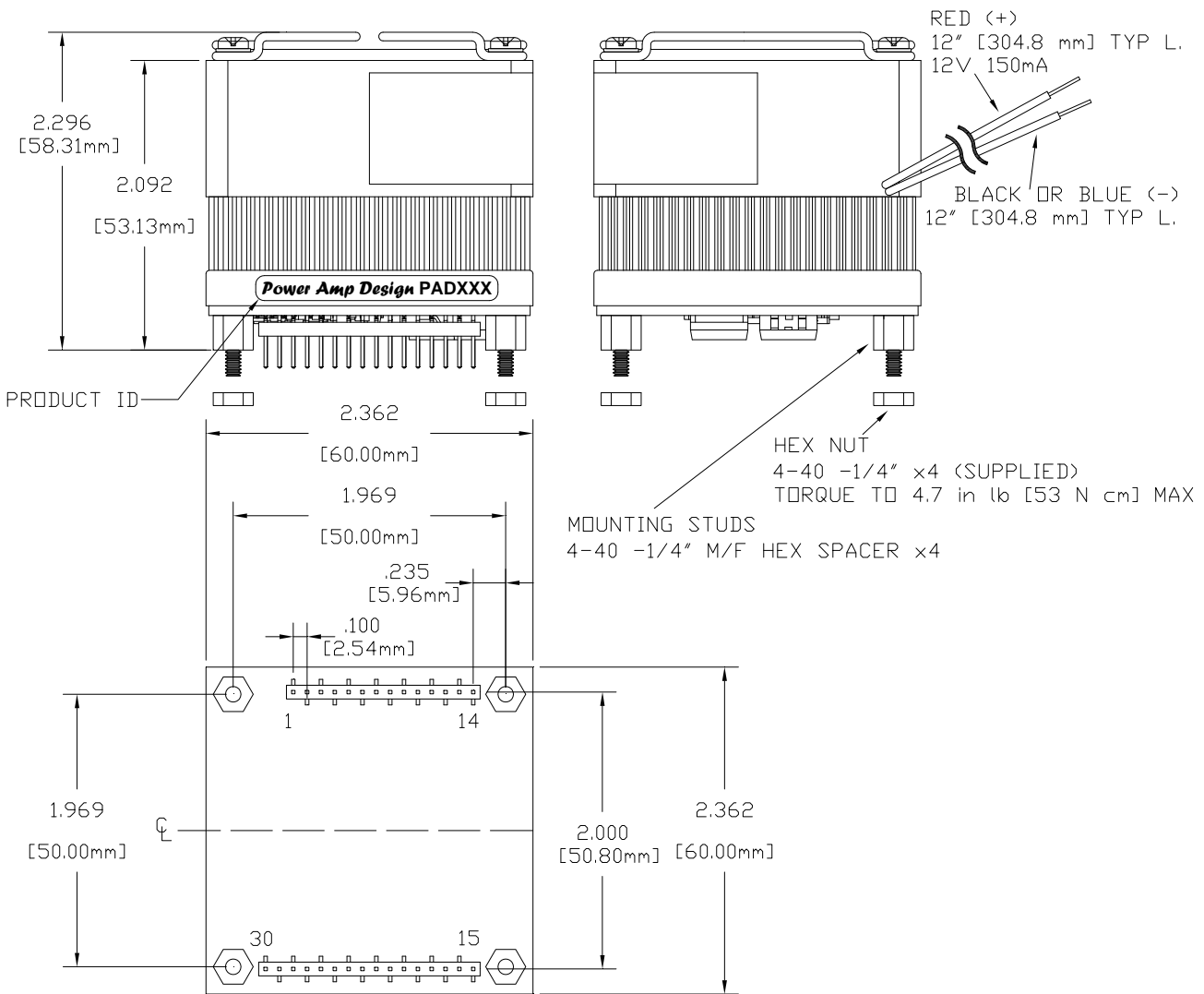
SAFE OPERATING AREA

The safe operating area (SOA) of a power amplifier is its single most important specification. The SOA graph presented above serves as a first approximation to help you decide if the PAD117A will meet the demands of your application. But a more accurate determination can be reached by making use of the **PAD Power**™ spreadsheet which can be found in the *Power Amp Design* website under the *Design Spreadsheet* tab. While the graph above adequately shows DC SOA and some pulse information it does not take into account ambient temperatures higher than 30°C, AC sine, phase or non-symmetric conditions that often appear in real-world applications. The **PAD Power**™ spreadsheet takes all of these effects into account.



NOTES:

1. PINS .0025" SQUARE X30
2. RECOMMENDED HOLE FOR MOUNTING 0.129" X4
3. RECOMMENDED HOLE FOR PINS 0.052" D.
4. TOTAL ASSEMBLY WEIGHT APPROX 7.5 oz [213 g]
5. HEAT SINK WEIGHT APPROX 3.53 oz [100 g]



Power Amp Design ♦ PAD117A ♦ RAIL TO RAIL OPERATIONAL AMPLIFIER

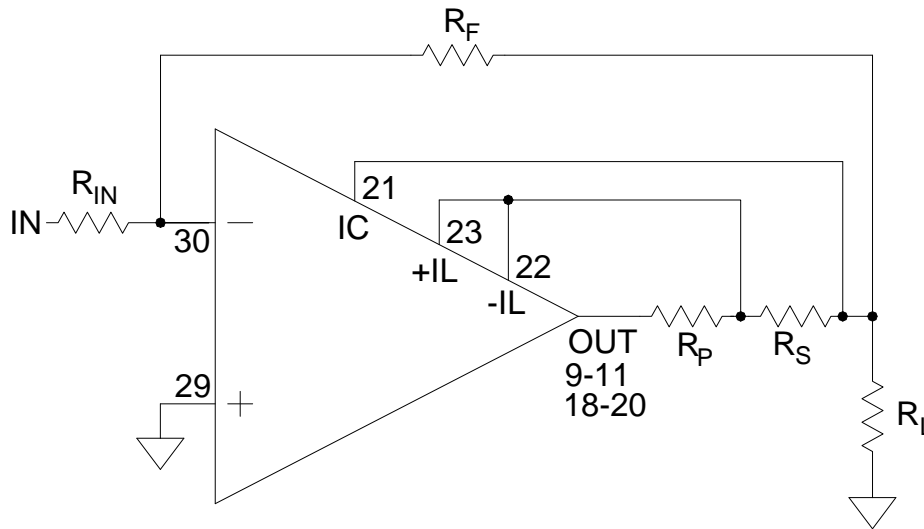


FIGURE 1.
4-WIRE CURRENT LIMIT

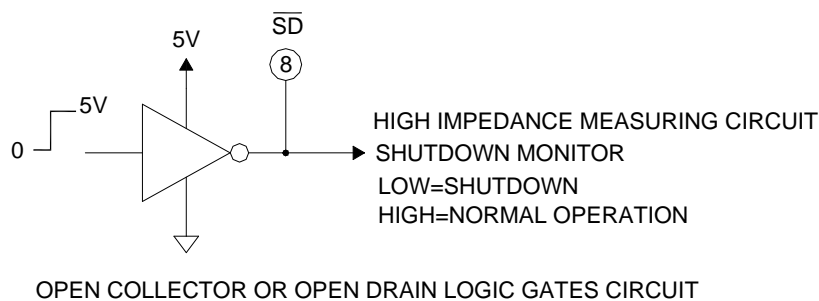
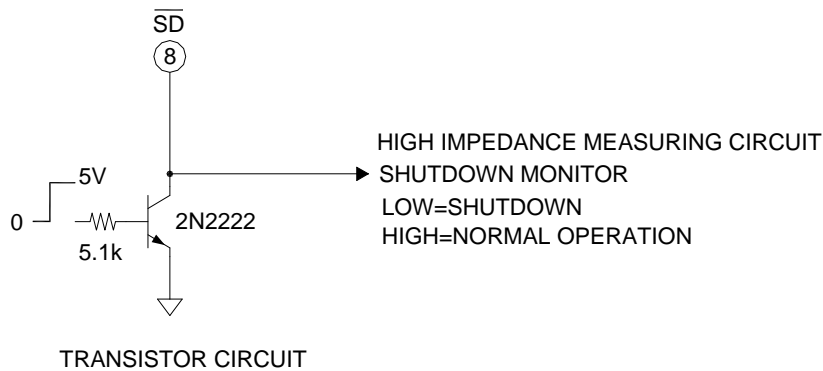


FIGURE 2.
EXTERNAL SHUTDOWN WITH MONITOR

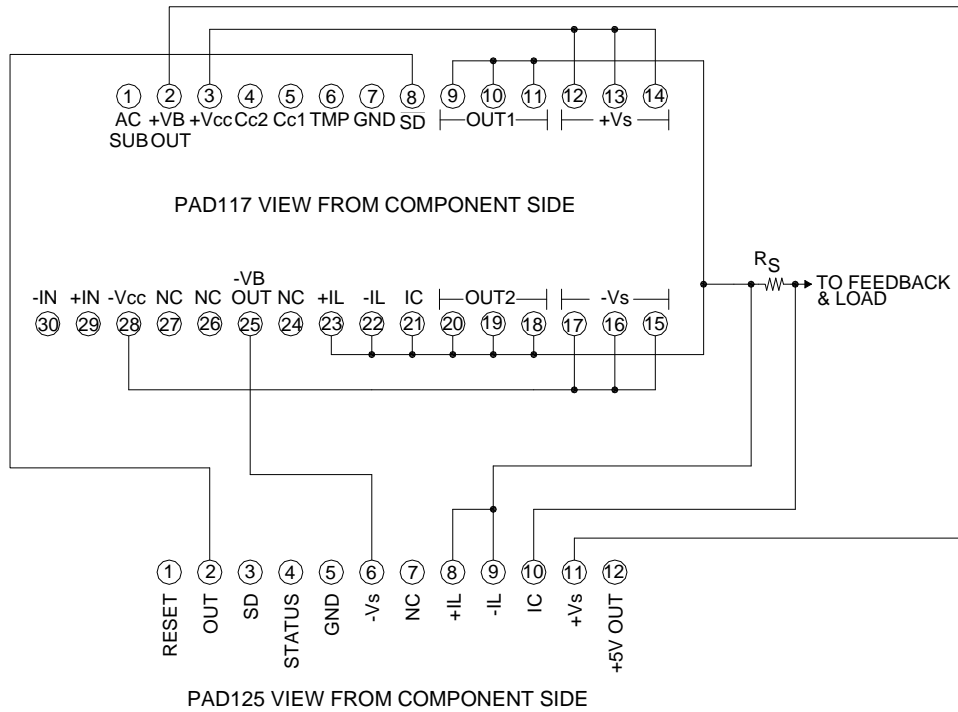


FIGURE 3
USING THE PAD117A WITH THE PAD125

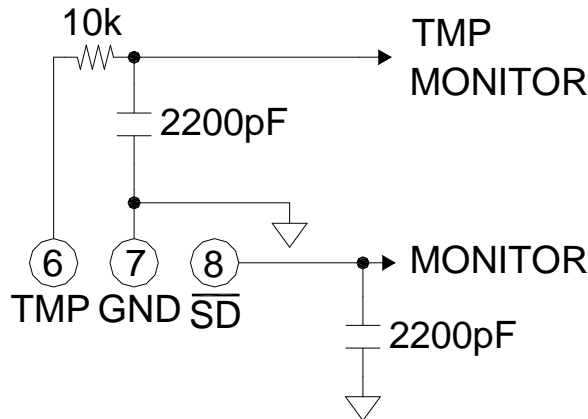


FIGURE 4
MONITORING TMP AND \overline{SD} OUTPUTS

Power Amp Design ♦ PAD117A ♦ RAIL TO RAIL OPERATIONAL AMPLIFIER

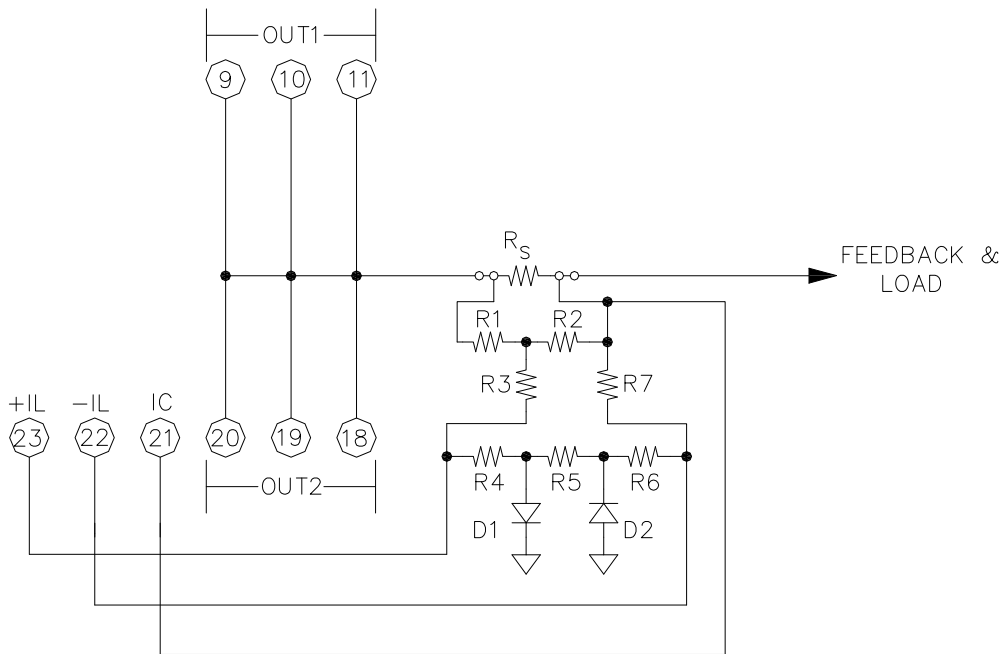


FIGURE 5
DUAL SLOPE (FOLD-OVER) CURRENT LIMIT

With the three current limit function pins (pins 21-23) dual slope current limiting can be implemented that more closely approximates the SOA curve of the amplifier than can be achieved with standard current limiting techniques. Values for resistors R1-R7 and R_S can be calculated using the **PAD Power**[™] spreadsheet that can be downloaded from the Power Amp Design web site under the *Design Spreadsheet* tab.