

PowerAmp Design

EVALUATION KIT FOR MODEL PAD196

EVAL196

Rev C

INTRODUCTION

The EVAL196 evaluation kit provides a convenient method to become familiar with the operation of amplifier model PAD196 before your application circuit is committed to production. Some assembly is required since user selections are needed depending on the application. For example, a current limit resistor value needs to be selected by the user. Also, there are two PCB mounting options available.

Critical connections for power supply bypassing and compensation are pre-wired. Terminal strips are also provided for input and output signals and power. A bread-boarding area is provided to construct the application circuit.

ASSEMBLY STEPS

Please note that the #1 cause of problems for evaluation kit users is not reading and following the directions (all of them). The #2 cause of problems is poor solder joints (cold or bridging). Don't become a statistic. ✓ each step.

Refer to the Illustrated Parts List for the components mentioned in the assembly steps.

1. **This evaluation kit is intended for use by professional engineers well familiar with the concerns of high voltage circuits. Be constantly aware that there are places on the circuit board where as much as 2000V may be exposed. On the circuit board these nodes are marked with a Δ symbol. Do not touch the circuit board unless you are sure the power supplies are turned off. Do not attach probes to the circuit unless the power is turned off. Be sure that any probes attached to the circuit can withstand 2000V. Do not leave the circuit unattended while powered-up. While we have designed the board to be as safe as practical it is still your responsibility to guard your safety and that of others.**

While this evaluation kit is suitable for circuit development in the lab it may not be suitable for production purposes. For example, while the amplifier itself is conformal coated, the evaluation board is not and operating conditions with humidity, high elevations, or dirty environments may lead to arcing between circuit elements. In the production environment the user may have to take steps, like conformal coating to prevent arcing.

2. Notice that the printed circuit board (PCB) is labeled on one side as the "DUT SIDE" and the other side as "CIRCUIT" side.

3. Standard 1% metal film resistors may be used for the current limit sense resistor, R_s (not included in the kit but required for proper operation). There are two locations on the PCB for these resistors. The PCB ties the locations in parallel.



Assembled EVAL196 with amplifier installed.

The resistors can be used individually at either location or two can be used to fine tune the final value desired. See the datasheet for the amplifier to determine the best value for your application. Solder the resistor(s) from the "CIRCUIT SIDE" of the PCB.

4. The evaluation kit PCB can be mounted in two ways. **Option 1- Chassis mount.** Use #6 standoffs and screws (not supplied) attached to the PCB at the four corners of the PCB.

Option 2- Bench-top mount. Use the five rubber bumpers supplied. These are "stick-on" components. Remove the release paper from each bumper and apply the bumper to the square outlines on the "CIRCUIT SIDE" of the PCB.

5. Remove the 4 hex nuts from the mounting spacers of the amplifier.

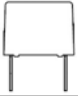


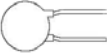


6. Align the 4 studs of the mounting spacers with the mounting holes in the PCB. Be sure that the amplifier's pin 1 aligns with pin 1 on the PCB. Slowly lower the amplifier into the PCB, making sure that the pins of the amplifier and the cage jacks mate. Push the amplifier into the PCB until the mounting spacers meet the PCB.

7. Fasten the amplifier to the PCB with the 4 hex nuts previously removed. Do not over-tighten the nuts as this may strip the mounting studs. The provided plastic nut starter can assist you here.

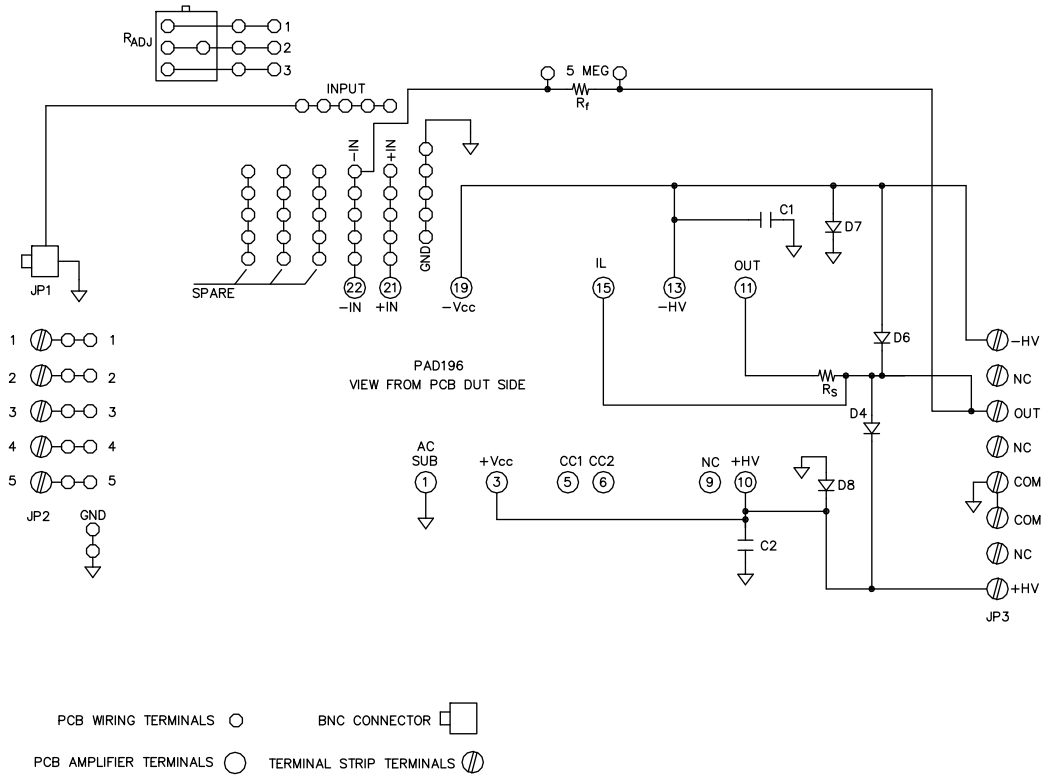
8. Notice that " R_F " is a 5 M Ω high voltage rated resistor. As much as 2000V may appear across this resistor and that much voltage may destroy normally rated components. If you need to replace this resistor with a component of some other value pay special attention to the voltage rating of that component.

- 9. Use the bread-boarding area to add the external components necessary to program the amplifier gain (noting that R_F is $5M\Omega$) and other circuit requirements to evaluate your application circuit. You can use the evaluation kit schematic and PCB views to map out your circuit.
- 10. Remember that the amplifier must be compensated to operate correctly. See the amplifier datasheet on Page 4, under PHASE COMPENSATION. The selected phase compensation capacitor will be installed at “ C_C ” on the evaluation kit PCB. A 100pF capacitor has already been installed in your kit. Another value may better suit your application. Remove and replace the capacitor as necessary for your application. 10pF and 33pF capacitors are also included with the kit. C_C must be rated for at least 1000V. A temperature stable type capacitor is required—an X7R ceramic, for example, or an NPO type (preferred).
- 11. The evaluation kit assembly is complete. Be sure you have read and followed all the assembly steps. Inspect the circuit board for solder shorts or poor solder joints. An illuminated magnifier is helpful. It is also helpful to use a solder with a water-soluble flux and to wash and dry the board after your assembly is complete. **Flux removal is important to prevent possible arcing between circuit elements.**
- 12. Note that the EVAL196 is intended for use in a lab type environment with normal atmospheric pressure, normal temperature and humidity conditions. Operation in other types of environments may lead to high voltage arcing across circuit boards traces or circuit elements. The amplifier circuit itself is conformal coated except for the leads where the amplifier is connected to the user’s circuit board.
- 13. **Before applying power to your circuit set the power supply for $\pm 50V$ and set the power supply current limit to approximately 10mA. Use little or no load at first. Apply an input signal and check the output with an oscilloscope to verify proper functionality. This step can prevent damaging the amplifier or the circuit board should there be some mistake in assembly.**

Note that the amplifier is purchased separately.

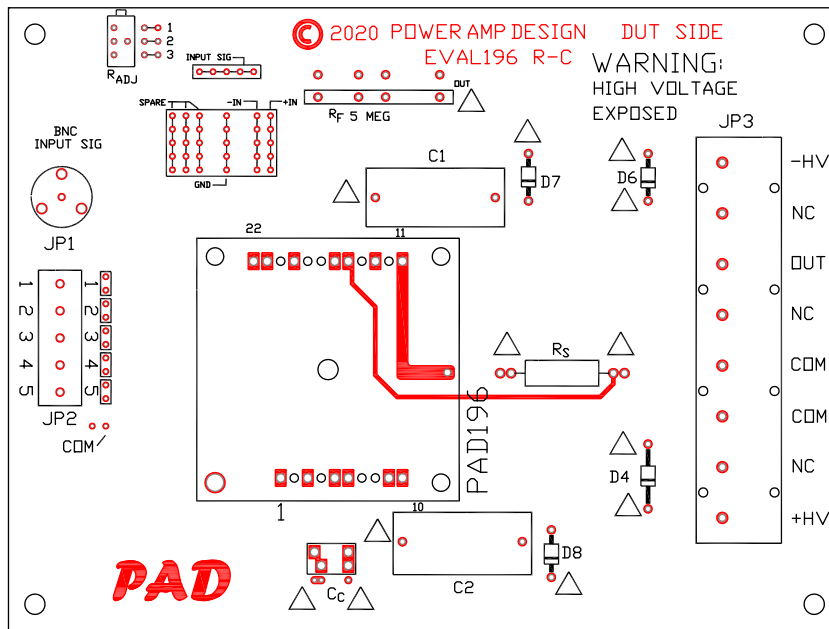
✓	Ref	Qty	Description	Mfg/Distributor	Mfg. Part Number	Illustration (not to scale)
<input type="checkbox"/>	Amplifier Pins 1-14 & Cc	1	Cage Jacks w/carrier strip 32 wide	Power Amp Design	CJS01	
<input type="checkbox"/>	C1, 2	2	Polypropylene Film Capacitor, 0.015µF, 2000V	EPCOS/Mouser	B32633A2153K10	
<input type="checkbox"/>	R _F	1	HV Resistor, 5MΩ	Ohmite/Mouser	SM103035004FE	
<input type="checkbox"/>	JP1	1	BNC Jack	AMP/Digi-Key	5221123-2	
<input type="checkbox"/>	JP2	1	Terminal Block	Phoenix/Digi-Key	1729157	
<input type="checkbox"/>	JP3	4	Terminal Block	Phoenix/Mouser	1904147	
<input type="checkbox"/>	Cc	1	Capacitor, 100pF 1kV	Vishay/Mouser	562R10TST10	
<input type="checkbox"/>	Cc	1	Capacitor, 33pF 1kV	Vishay/Mouser	561R10TCCQ33	
<input type="checkbox"/>	Cc	1	Capacitor, 10pF 1kV	Vishay/Mouser	561R10TCCQ10	
<input type="checkbox"/>	D4, 6	2	Diode	Vishay/Mouser	GP02-25-E3/73	
<input type="checkbox"/>	NA	5	Rubber Bumper	3M/Digi-Key	SJ5518	
<input type="checkbox"/>	NA	1	Nut Starter	Menda/Jensen Tool	200	
<input type="checkbox"/>	NA	1	PCB	Power Amp Design	EVAL196	NA

CIRCUIT DIAGRAM

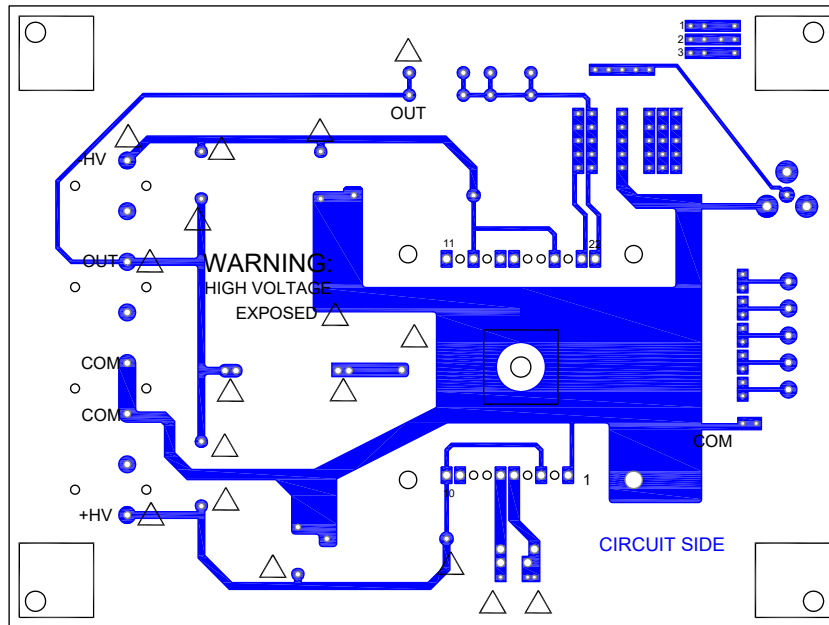


Power Amp Design ♦ EVAL196 ♦ EVALUATION KIT FOR MODEL PAD196

TOP VIEW

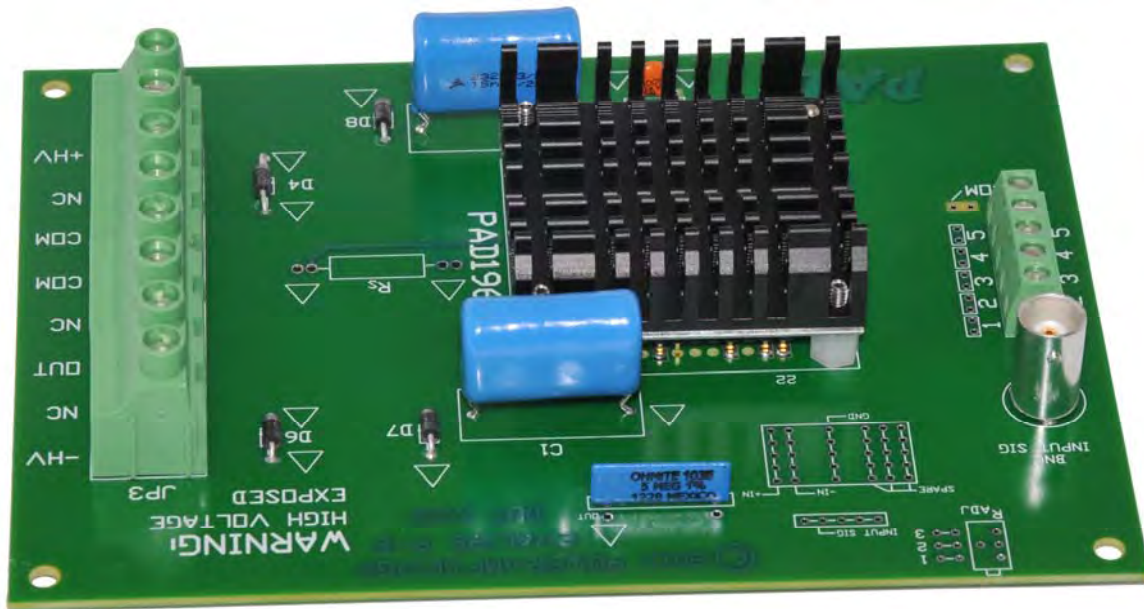


BOTTOM VIEW



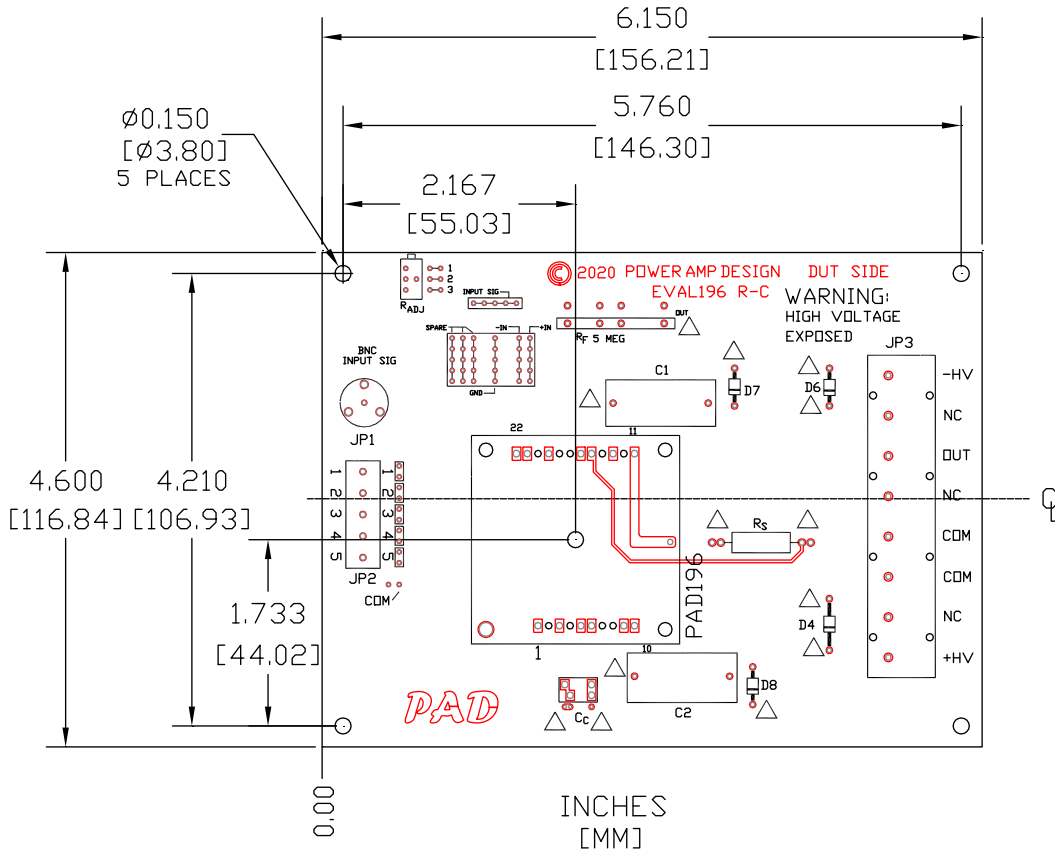
Power Amp Design ♦ EVAL196 ♦ EVALUATION KIT FOR MODEL PAD196

ASSEMBLED EVAL196 WITH AMPLIFIER INSTALLED



Power Amp Design ♦ EVAL196 ♦ EVALUATION KIT FOR MODEL PAD196

BOARD OUTLINE DIMENSIONS



Power Amp Design ♦ EVAL196 ♦ EVALUATION KIT FOR MODEL PAD196